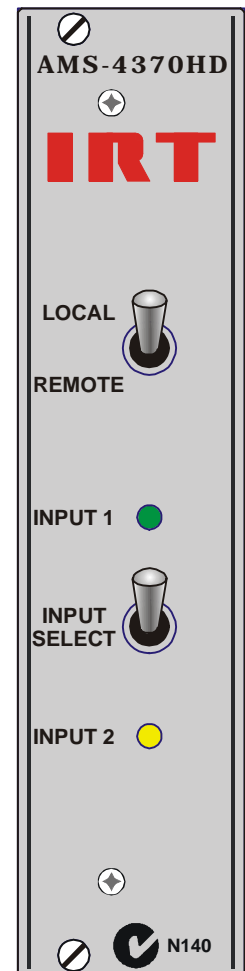
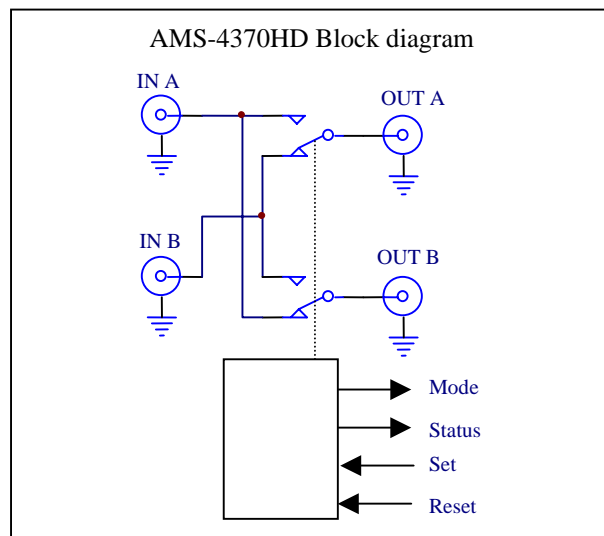


HD, G.703, ASI, SDI, Video 4 Port Changeover Relay Type AMS-4370HD



Features:

- **Signal path suitable for HD (1.4Gb/s), SDI , analogue video, ASI data streams and G703 signals @ 2, 8, 34, 45, 144 Mb/s.**
- **Momentary Set/Reset or HI/LO logic control.**
- **No path change on power fail.**
- **Local or remote control.**
- **Front panel LED status indicators.**

General:

The AMS-4370HD is a magnetic latching 4 port changeover switcher using enhanced performance relays which provide switching capabilities for high speed data signals up to 1.4 Gb/s. It is suitable for switching high definition video, ASI, SDI or G.703 data streams or analogue video signals, provided that they have characteristic impedances of 75Ω.

The AMS-4370HD is arranged as a changeover switch with two inputs and two outputs. No terminations are provided on the board allowing the switcher to be used in a wide variety of applications and with signals of various types and impedances.

The magnetic latching characteristic of the high performance relay allows momentary control and also provides for no change of path during power loss. Remote changeover is by a momentary ground connection.

The AMS-4370HD is ideally suited to applications where a simple choice between two inputs or outputs is required and may be easily driven by detector circuits for automatic path selection.

For best performance the outputs should be connected to inputs with automatic cable equalisation.

Remote indication of tally and local/remote status is provided for integration into central alarm and monitoring systems.

The AMS-4370HD relay card is built to the Eurocard format and will mount in an IRT 1RU or 4000 series 3RU frame.

AMS-4370HD Technical Specifications

Signal path:

Signal types HD/SDI/ASI/G.703/Video
 Switching characteristic Magnetic latching 4 port changeover relay.
 Crosstalk between channels < -45 dB to 270 MHz,
 < -30 dB to 1.5 GHz.

Frequency response +0/-0.5 dB to 1.25 GHz,
 +0/-1.5 dB to 1.5 GHz.

Auxiliary Data:

Mode Contact set – Local = SC, Remote = OC.
 Data/Tally Magnetic latching relay changeover contact set.

Remote Control:

Mode Momentary ground to the relay coil with the common of the coil circuit connected to +12 Volts.

Power requirement <60 mA sink to ground.

Connectors: Video: BNC.
 Control & Status: Krone LSA plus.

Other:

Relay contact rating 24 Vdc - 1 A
 100 Vac - 0.3 A

Power requirements: 28 Vac CT (14-0-14) or ± 16 Vdc
 Power consumption 1 VA.
 Temperature range 0 - 50° C ambient

Mechanical

Suitable for mounting in IRT 1RU or 4000 series 3RU 19" rack chassis with input, output and power connections on the rear panel.

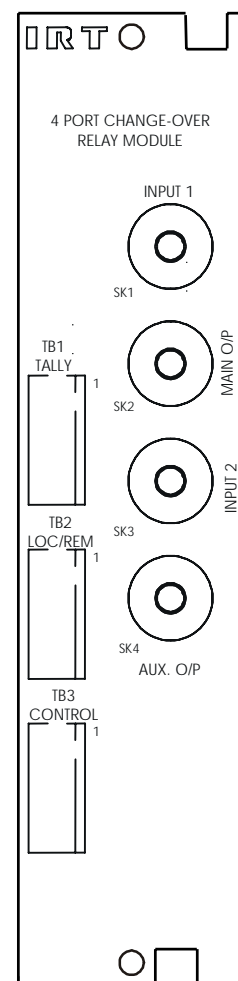
Finish: Front panel Grey background, silk-screened black lettering & red IRT logo.

Rear assembly Detachable silk-screened PCB with direct mount connectors to Eurocard and external signals. Note that BNC connections are connected directly to the main PCB.

Dimensions 6 HP x 3 U x 220 mm IRT Eurocard.

Supplied accessories Rear connector assembly with matching connectors for control input and tally/mode outputs.

Optional accessories Instruction manual.



Due to our policy of continuing development, these specifications are subject to change without notice.

Detailed specifications available from:

Manufacturer:
IRT Electronics Pty Ltd

26 Hotham Parade
 ARTARMON
 N.S.W. 2064 AUSTRALIA

Phone: +61 2 9439 3744

Fax: +61 2 9439 7439

Email: sales@irtelectronics.com

Local Agent:

IRT can be found on the Internet at:
<http://www.irtelectronics.com>