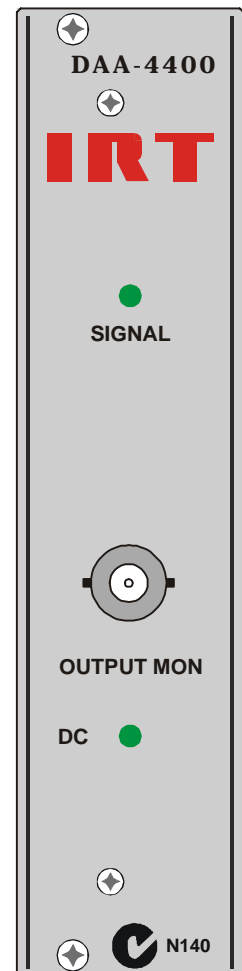
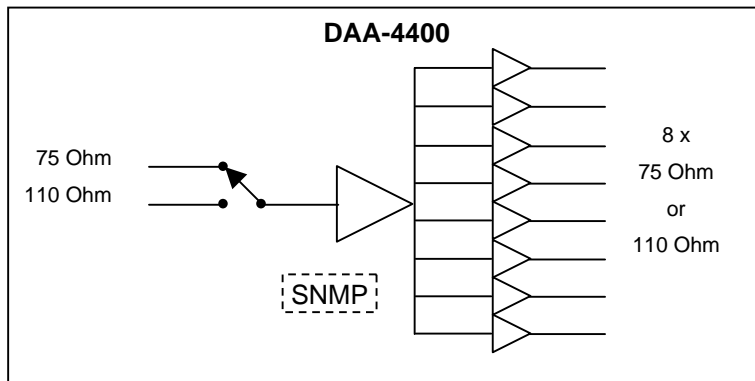


AES/EBU Distribution Amplifier Type DAA-4400



Features:

- **8 outputs.**
- **75 and 110 Ohm inputs.**
- **Choice of 75 or 110 Ohm outputs by changing rear connector assembly.**
- **Front panel monitoring output.**
- **Optional plug-in SNMP monitoring module.**
- **All inputs and outputs transformer coupled.**
- **Digital circuit re-shapes output and restores level.**
- **No cable compensation adjustments required.**

General:

The DAA-4400 is designed to provide a solution to most AES/EBU digital audio signal distribution requirements.

The DAA-4400 supersedes the DAA-3400 and provides all of its predecessor's functions together with the added option of a plug-in Simple Network Management Protocol (SNMP) monitoring module for use with IRT's 4000 series SNMP system frame.

The DAA-4400 will operate at any frequency from 34 to 54 kHz and may be used with non-AES digital signals that have a net zero DC content.

Whilst analogue VDA's may be used for 75 Ohm AES signals, the digital circuitry of the DAA-4400 offers the advantage of restoring the signal rise and fall times and output level without the need to manually adjust gain and compensation controls.

Individual rear assemblies are available for 75 Ohm or 110 Ohm use. No changes are required to the main DA to convert between the two output types.

Additional rear assemblies of either type may be ordered separately. Both types include both 110 and 75 Ohm input connectors. The required input is selected by links on the main PCB.

The DAA-4400 is designed to fit IRT's standard Eurocard frames as well as IRT's 4000 series frame for use with IRT's SNMP system and may be used alongside any other of IRT's analogue or digital Eurocards.

DAA-4400 Technical Specifications

Inputs:

Number 2.
 Type 1 x 110 Ω balanced
 or
 1 x 75 Ω unbalanced
 selected by link on PCB.

Format AES3-1992 standard.
 Input level 200 mVp-p minimum.
 Cable length >500 m 75 Ω (Belden 8281).
 >200 m 110 Ω (AES digital high quality shielded pair).

Outputs:

Number 8.
 Type ZAA-4401 (standard) 110 Ω balanced > 3 Vp-p.
 or
 ZAA-4400 (optional) 75 Ω unbalanced > 1 Vp-p.
 Monitoring 1 x 75 Ω unbalanced.
 Format AES3-1992 standard.

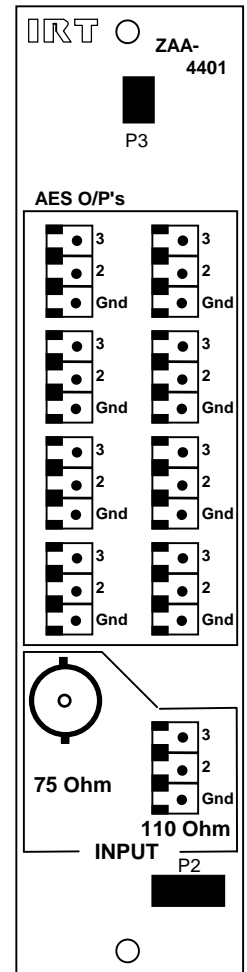
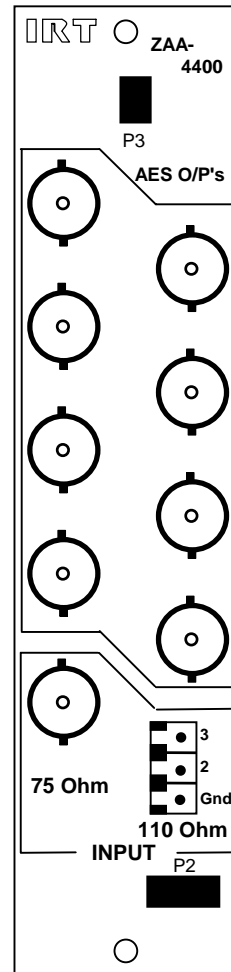
Performance:

Frequency range 32 to 54 kHz continuous.
 Rise & fall times <20 ns.
 Power requirements 28 Vac CT (14-0-14) or ± 16 Vdc.
 Power consumption <4 VA.

Connectors: Balanced Phoenix 3 terminal plug-in blocks.
 Unbalanced BNC.

Other:

Temperature range 0 - 50° C ambient.
 Mechanical Suitable for mounting in IRT 19" rack chassis with input, output and power connections on the rear panel.
 Finish: Front panel Grey background, silk-screened black lettering & red IRT logo.
 Rear assembly Detachable silk-screened PCB with direct mount connectors to Eurocard and external signals.
 Dimensions 6 HP x 3 U x 220 mm IRT Eurocard.
 Supplied accessories Rear connector assembly including matching plugs for 110 Ohm connections.
 Optional accessories SMU-4000 plug in SNMP Management Information Base (MIB) module.



Due to our policy of continuing development, these specifications are subject to change without notice.

Detailed specifications available from:

Manufacturer:
IRT Electronics Pty Ltd
 26 Hotham Parade
 ARTARMON
 N.S.W. 2064 AUSTRALIA
 Phone: +61 2 9439 3744
 Fax: +61 2 9439 7439
 Email: sales@irtelectronics.com

Local Agent:

IRT can be found on the Internet at:
<http://www.irtelectronics.com>