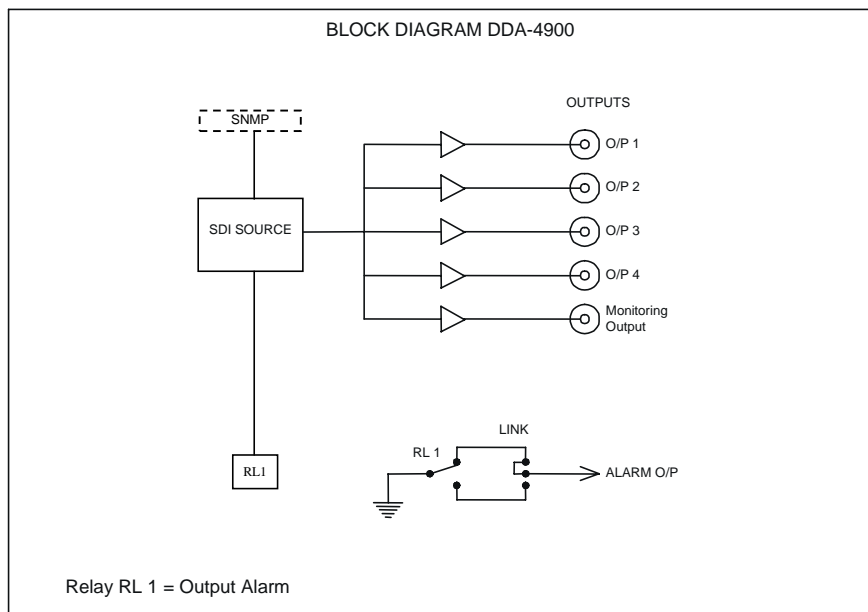


270 Mb/s SMPTE-259 SDI Video Source Type DVG-4900



Features:

- **PAL or NTSC operation.**
- **Colour Bars or Black video signal.**
- **Signal loss indication on Alarm Contacts.**
- **Optional plug-in SNMP monitoring and control module.**

General:

The DVG-4900 is designed to provide a stable 270 Mb/s video source for use in locations where a SDI video signal is needed to provide signal continuity or where a reference is required for audio insertion onto a 270 Mb/s signal path.

The DVG-4900 finds particular use in installations as a test signal for connectivity and operation of SDI video paths. The unit can be set for either PAL or NTSC applications outputting either 75% Colour Bars or Black field.

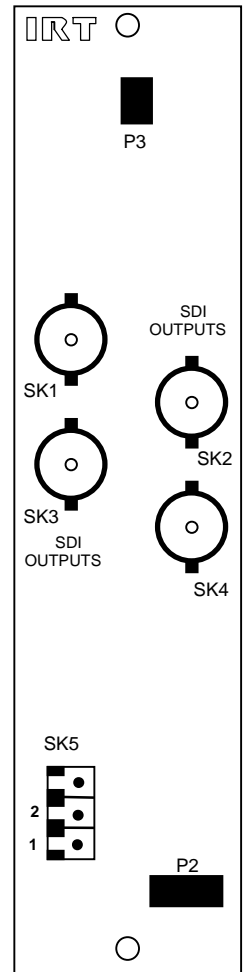
The DVG-4900 also provides a suitable base signal for embedding audio using an audio inserter, such as IRT's DAI-3206 audio inserter, for transmitting audio down a 270 Mb/s path.

An optional Simple Network Management Protocol (SNMP) plug-in module is available for remote control and monitoring of output and alarm states.

The DVG-4900 is designed to fit IRT's standard Eurocard frames as well as IRT's 4000 series frame for use with IRT's SNMP system and may be used alongside any other of IRT's analogue or digital Eurocards.

DVG-4900 Technical Specifications

Output:	5 (one on front panel)
Type	270 Mb/s \pm 100ppm serial data 75% Colour Bars/Black (link/SNMP selectable).
Amplitude	800 mV p-p \pm 10% into 75 ohms.
Impedance	75 Ω .
Rise/fall time	Between 500ns and 800ns
Residual Jitter	<0.1 UI.
Connector	BNC.
Alarm Outputs:	1 x N/C or N/O settable Signal loss Relay
Remote Control:	Simple Network Management Protocol (SNMP) when fitted with the optional SNMP plug-in module and mounted within IRT's 4000 series frame fitted with an SNMP Agent.
Front Panel Indicators:	DC - Power NTSC - NTSC output of SDI stream PAL - PAL output of SDI stream Signal - Generator PLL locked to master crystal
Power Requirements	28 Vac CT (14-0-14) or \pm 16 Vdc.
Power consumption	2 VA.
Other:	
Temperature range	0 - 50° C ambient.
Mechanical	Suitable for mounting in IRT 19" rack chassis with input, output and power connections on the rear panel.
Finish:	Front panel Grey background, silk-screened black lettering & red IRT logo. Rear assembly Detachable silk-screened PCB with direct mount connectors to Eurocard and external signals.
Dimensions	6 HP x 3 U x 220 mm IRT Eurocard.
Supplied accessories	Rear connector assembly.
Optional accessories	SNMP plug-in module for use with 4000 series frame fitted with SNMP "Agent".



Due to our policy of continuing development, these specifications are subject to change without notice.

Detailed specifications available from:

Manufacturer:
IRT Electronics Pty Ltd
26 Hotham Parade
ARTARMON
N.S.W. 2064 AUSTRALIA
Phone: +61 2 9439 3744
Fax: +61 2 9439 7439
Email: sales@irtelectronics.com

Local Agent:

IRT can be found on the Internet at:
<http://www.irtelectronics.com>