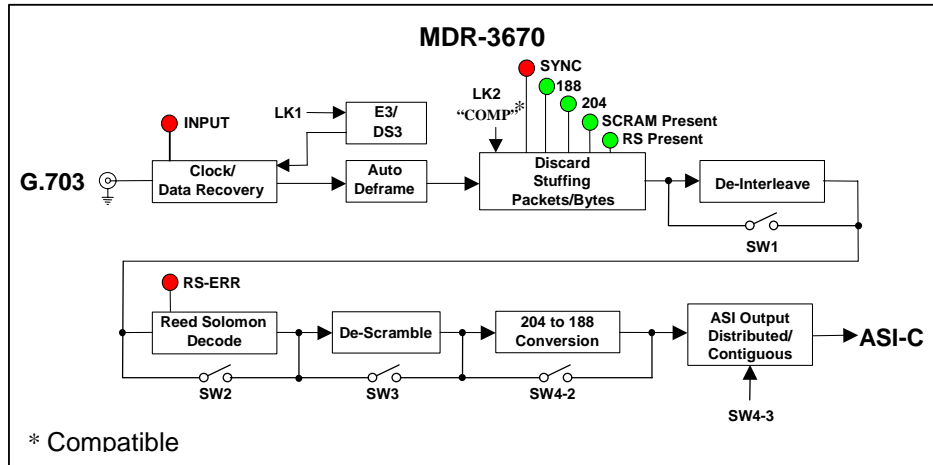


Functional diagram:



Features:

- Wide Range of G.703 to ASI conversions
- E3 or DS3 operation with automatic DS3 De-framing
- Reed Solomon correction
- De-interleaving
- De-scrambling
- Packet length indication
- Distributed or Contiguous Packet Mode

General:

The MDR-3670 is part of a family of data transcoders for converting between the commonly used MPEG2 Transport Stream formats in the broadcast industry for video distribution.

The MDR-3670 operates with either an E3 (34.368 Mb/s) or DS3 (44.736 Mb/s) G.703 rates.

There are several industry modes of encoding that can be decoded by the MDR-3670. They are loosely classified as follows :

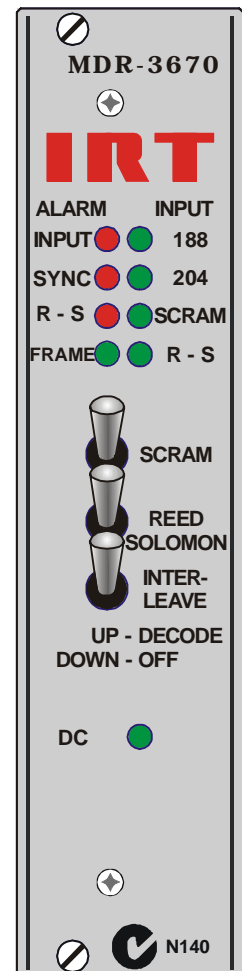
Standard: IRT MDT-3570, DDC-3480

Upstream: Similar to above

Downstream: Packet stuffed

Compatible: Legacy framing

This range covers most other manufacturer's equipment.



MDR-3670 Technical Specifications

Inputs:

Type 1 x G.703, 75Ω BNC connector.
G.703 Rate E3 (34.368 Mb/s) or DS3 (44.736 Mb/s), selectable.

Outputs:

Type 1 x ASI-C 75Ω, 800 mVp-p, BNC connector.
(distributed or contiguous – link selectable)

Alarms:

Major Relay NO/NC link selectable,
(Relay energised when Input Sync is obtained).

Minor Relay NO/NC link selectable,
(Relay energised when Input Sync is obtained and when there is a valid G.703 output rate).

Power Requirements 28 Vac CT (14-0-14) or ± 16 Vdc.

Power consumption <5.5 VA.

Other:

Temperature range 0 - 50° C ambient.

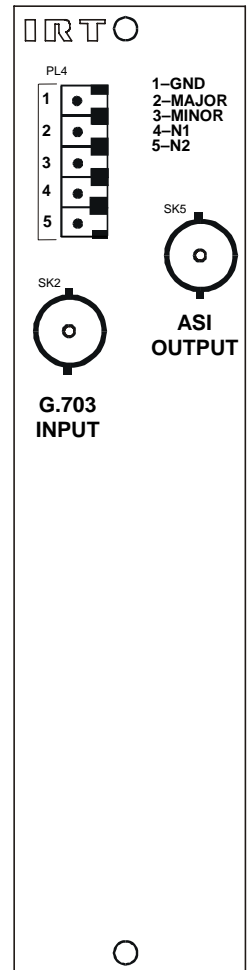
Mechanical Suitable for mounting in IRT 19" rack chassis with input, output and power connections on the rear panel.

Finish: Front panel Grey background, silk-screened black lettering & red IRT logo.
Rear assembly Detachable silk-screened PCB with direct mount connectors to Eurocard and external signals.

Dimensions 6 HP x 3 U x 220 mm IRT Eurocard

Supplied accessories Rear connector assembly including matching connector for alarm output.

Optional accessories TME-6 module extender card



Due to our policy of continuing development, these specifications are subject to change without notice.

Detailed specifications available from:

Manufacturer:
IRT Electronics Pty Ltd

26 Hotham Parade
ARTARMON
N.S.W. 2064 AUSTRALIA

Phone: +61 2 9439 3744

Fax: +61 2 9439 7439

Email: sales@irtelectronics.com

Local Agent:

IRT can be found on the Internet at:
<http://www.irtelectronics.com>