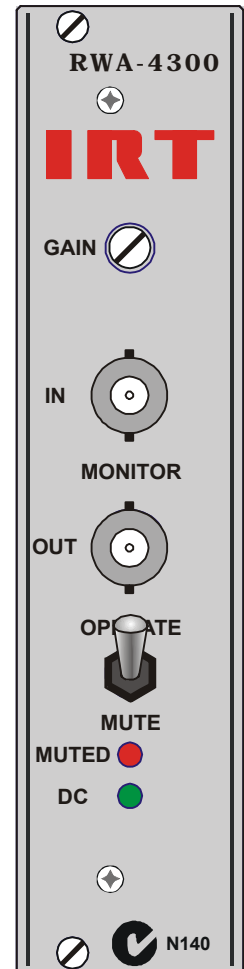
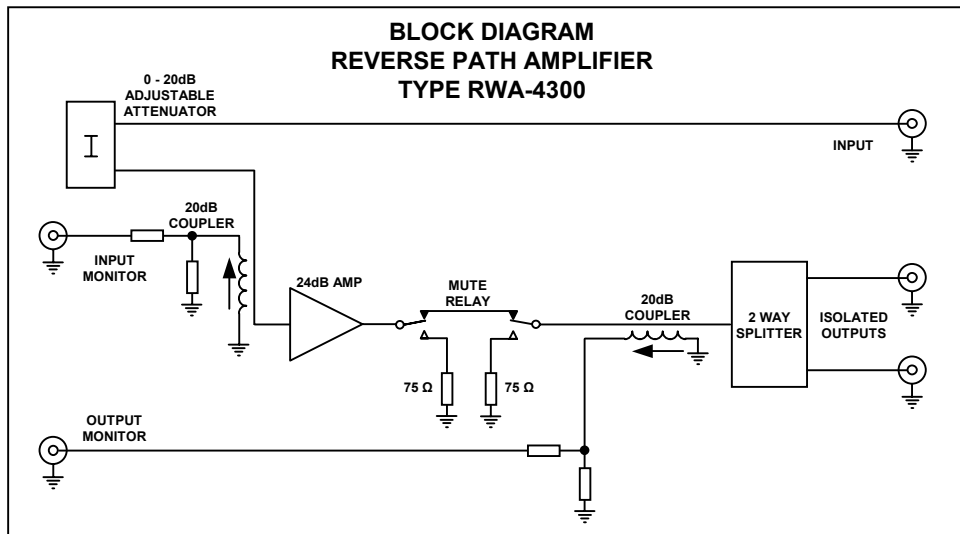


Reverse Path Amplifier Type RWA-4300



Features:

- **2 - 200 MHz frequency response specially contoured for use in reverse path of cable TV distribution.**
- **Very low noise.**
- **0 - 20 dB variable input gain control.**
- **Local or remote muting.**
- **Input and output monitoring on front panel.**
- **Power loss alarm output.**

General:

The RWA-4300 has been designed to provide amplification of signals in the reverse path of cable TV distribution systems.

An input attenuator with a 20 dB range provides gain control to optimise signal levels at the output.

Due to the high levels of RF noise in the operating environment the frequency response of the amplifier is tailored to give optimum low noise amplification to the reverse path signals, which normally lie between 5 and 100 MHz.

In addition the RWA-4300 is constructed with a high level of RF shielding which eliminates both ingress and egress of unwanted RF signals.

The FRU-4300 3RU frame allows 8 RWA-4300's to be mounted with two PSU's that may be either 240 Vac or -48 Vdc.

RWA-4300 Technical Specifications

RF:

Input:

Type	DC coupled.
Number	1.
Impedance	75 Ω .
Return loss	> 16 dB (2 - 200 MHz).
Maximum input level	> +50 dBmV.

Outputs:

Type	Transformer coupled.
Number	2.
Impedance	75 Ω .
Return Loss	> 18 dB (2 - 200 MHz).
Isolation between outputs	> 20 dB (2 - 200 MHz).
Maximum output level	>+50 dBmV at 200 MHz.

Monitoring outputs:

Input monitor:	Transformer coupled.
Impedance	75 Ω .
Level	-20 dB
Output monitor:	AC coupled.
Impedance	75 Ω .
Level	-20 dB

Performance:

Gain	0 to +20 dB. Adjustable from front panel.
Frequency response	2 to 200 MHz (-3 dB points).
Noise	6 dB at maximum gain
Noise (f = 200 MHz)	-67 dB
CTB (22 channels $V_o = 47$ dBmV)	-67 dB
CSO (22 channels $V_o = 47$ dBmV)	-67 dB

Connectors:

BNC

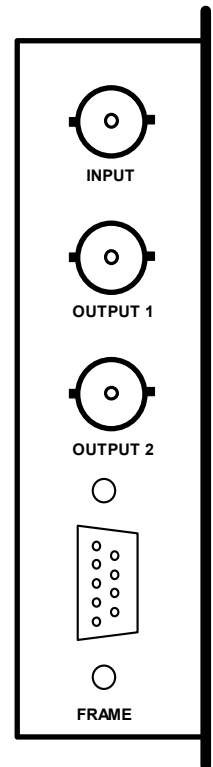
Power requirements:

28 Vac or +24 Vdc.

<300 mA

Other:

Temperature range	0 - 45° C ambient
Mechanical	Mounts in IRT 19" rack chassis types FRU-4300 3RU frame (8 modules).
Finish:	Grey background, black lettering & red IRT logo
Front panel	Bright steel.
Rear	Alodine finished aluminium.
Case	
Dimensions	30 mm x 3 U x 231 mm IRT Eurocard
Optional accessories	Instruction manual



Due to our policy of continuing development, these specifications are subject to change without notice.

Detailed specifications available from:

Manufacturer:
IRT Electronics Pty Ltd
26 Hotham Parade
ARTARMON
N.S.W. 2064 AUSTRALIA
Phone: +61 2 9439 3744
Fax: +61 2 9439 7439
Email: sales@irtelectronics.com

Local Agent:

IRT can be found on the Internet at:
<http://www.irtelectronics.com>